

**Age Range:** 3 and up  
**Weight Limit:** 130lbs MAX:  
 (Vehicle 90 lbs)  
 (Trailer 40 lbs)  
**Surfaces:** Grass/Asphalt & Other  
 Hard Surfaces  
**Speed:** 2.5 FOR/REV  
 5.0 FOR

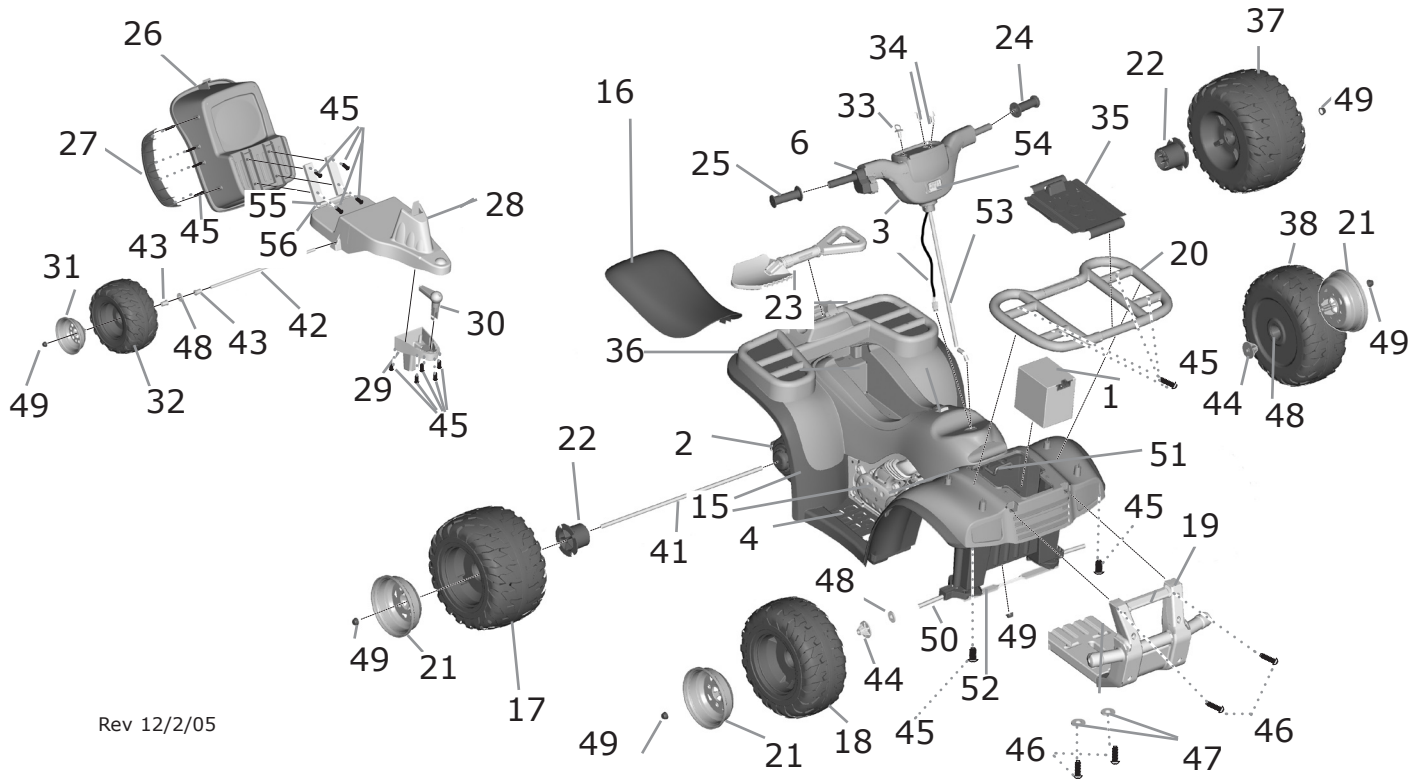


# B9785

## Kawasaki Adventure 4x4 W/Trailer 12V Advanced Series

**Colors:** Green Body/Black Seat & Wheels  
**Intro:** 2004  
**Suggested Retail:** 279.99  
**Box Dimensions:**  
 26.500 x 28.880 x 47.000  
 59 lbs  
**Warranty**  
 One Year Vehicle  
 6 Months Battery

Vehicle Left View



Rev 12/2/05

Item No.	Description	Part No.	Qty. Item	Part	No. Qty.	Description	No.
<b>Electrical Parts- SHOWN</b>							
1.	12V Battery	00801-0638	1				
<b>2.</b>	<b>Motor Gearbox Assembly</b>	<b>00968-2910</b>	<b>2</b>				
3.	*Complete Handlebar Assembly	B9785-9719D	1				
	(See below)						
4.	Footboard Assembly	B9785-9449D	1				
5.	Control Switch F/R	00801-0885	1				
<b>6.</b>	<b>Turbo Switch Assembly N/A</b>	<b>73600-9719</b>	<b>1</b>				
<b>Plastic / Other Parts</b>							
15.	Body w/False Motors	N/A					
16.	Seat	B9785-2159	1				
17.	Vehicle Rear Wheel (Wide)-RIGHT	B9785-2299	1				
18.	Vehicle Front Wheel (Narrow RIGHT)	B9785-2339	1				
19.	Brushguard	B9785-2349	1				
20.	Front Rack	B9785-2429	1				
21.	Vehicle Hubcap (Large)	B9785-2459	4				
22.	Rear Wheel Driver	74460-2249	2				
23.	Shovel	80155-2449	1				
24.	Left Grip w/Small Hole	74290-2399	1				
25.	Right Grip w/Large Hole	73600-2839	1				
26.	Bucket	B9785-2519	1				
27.	Fender	B9785-2539	2				
28.	Trailer Frame	B9785-9200D	1				
29.	Hitch Cover	B9785-2629	1				
<b>Hardware / Metal Parts</b>							
30.	Hitch Mount Clip	B9785-9150	1				
31.	Trailer Hubcap (Small)	B9272-2459	2				
32.	Trailer Wheel (Small)	B9272-2339	2				
33.	Key Assembly	B9785-2449	1				
34.	Knob	B9785-2179	2				
35.	Battery Compartment Cover	B9785-2329	1				
36.	Rear Rack	B9785-2439	1				
37.	Vehicle Rear Wheel (Wide)-LEFT	B9785-2369	1				
38.	Vehicle Front Wheel (Narrow) LEFT	B9785-2359	1				
41.	Rear Vehicle Axle (Long)	B9785-4509	1				
42.	Trailer Axle-(Short)	74110-4549	1				
43.	Bushing (.437 Long-Trailer)	73610-2689	4				
44.	Bushing (.437-Vehicle)	B9785-2229	2				
45.	#8 x 3/4 Screw	0912-8001	60				
46.	# 8 x 2 Screw N/A (Order Hardware Bag)	00912-8008	6				
47.	3/16 Washer N/A (Order Hardware Bag)	0801-0155	2				
48.	7/16 Washer	0801-0196	6				
49.	.437 Cap Nut	0801-0226	11				
50.	Front Axle	B9785-4519	2				
51.	Battery Retainer Assembly	3800-7593	1				
52.	Steering Linkage Assembly	B9785-9199D	1				
53.	Steering Column	B9785-4549	1				
54.	PW Emblem	74460-9069	1				
55.	Pivot Pin N/A	B9785-4639	1				
56.	.354 Cap Nut	0801-0604	2				
<b>Parts Not Shown</b>							
	Large Parts Bag	B9785-9269D	1				
	Small Parts Bag	B9785-7410D	1				
	Hardware Bag	B9785-9279	1				
	Owners Manual	B9785-0920	1				
	Decal Sheet	B9785-0310	1				
	Cap Nut Tool	78640-2629	1				
	Metal Neck	73690-4289	1				
	Adhesive Clip	0801-0313	1				
	Footboard Cover-Lower	B9785-2289	1				
<b>Electrical Parts-NOT SHOWN</b>							
	12V Charger w/Probe	00801-0972	1				
	<b>Gearbox W/out Motor</b>	<b>74310-9529</b>	<b>2</b>				
	<b>Motor Pinion Assembly</b>	<b>00968-2701</b>	<b>2</b>				
	<b>Main Harness Assembly</b>	<b>B9785-9799</b>	<b>1</b>				
	<b>Footswitch (Plunger Type)</b>	<b>00801-0933</b>	<b>1</b>				
	<b>PC Board</b>	<b>74287-9729</b>	<b>1</b>				

\*The handlebar assembly includes the steering column, handlebar harness and turbo switch assy. When ordering this part, you will also need to order the left and right handgrip.

**Bold and Underlined parts are to be purchased and installed by Service Centers only. These items may not be sold directly to consumers by Service Centers or Fisher-Price.**